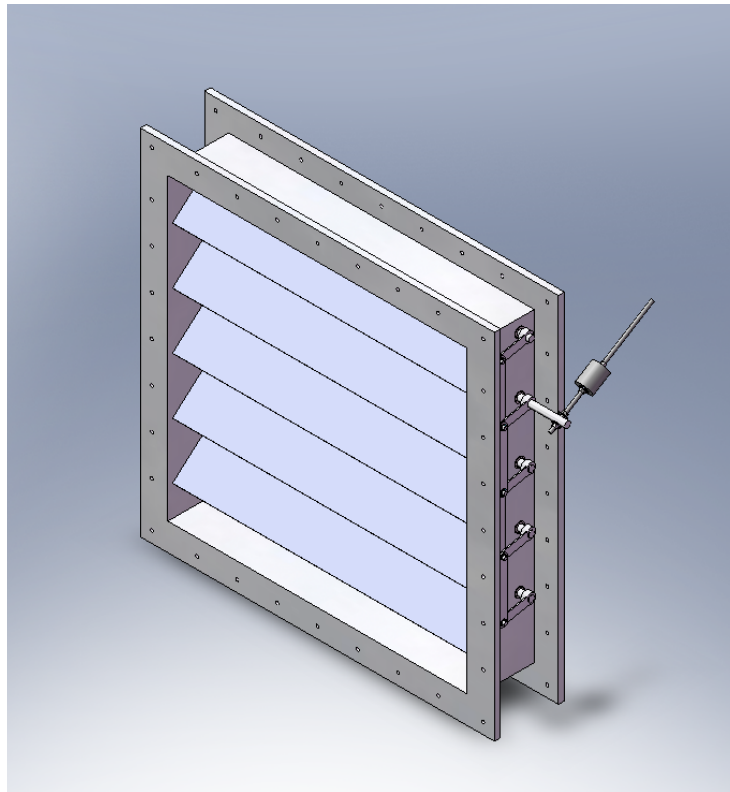


Daniel Mechanical Company

1939 West 11th Street Ste. E
Upland, CA 91786

Phone: (909) 982-1555
Fax: (909) 982-1855
danmech@sbcglobal.net
www.danielmechanical.com

DanFLO FRP BACKDRAFT DAMPER



DanFLO STANDARD CONSTRUCTION

FRAME—Vinyl ester resin fabricated to ASME/ANSI RTP-1.

FLANGES— $\frac{3}{4}$ " thick, hand lay-up integral to body per ASME RTP-1-2000 Standard. Number of holes are to be determined from individual damper.

BLADES—FRP hand lay-up construction per NBS PS 15-69 utilizing the same materials as frame.

BLADE ACTION—Parallel blade. The number of blades is determined by the height of the damper. Minimum number of blades is 2.

SHAFT—316 SST with nuts, bolts, and washers.

GEL COAT—Paraffinated, with ultraviolet inhibitor.

COLOR—White unless specified otherwise.

MAXIMUM TEMPERATURE—200°F.

LINKAGE—316 SST.

LUBRICANT—None required.

DanFLO FRP BACKDRAFT DAMPER DETAIL DRAWINGS

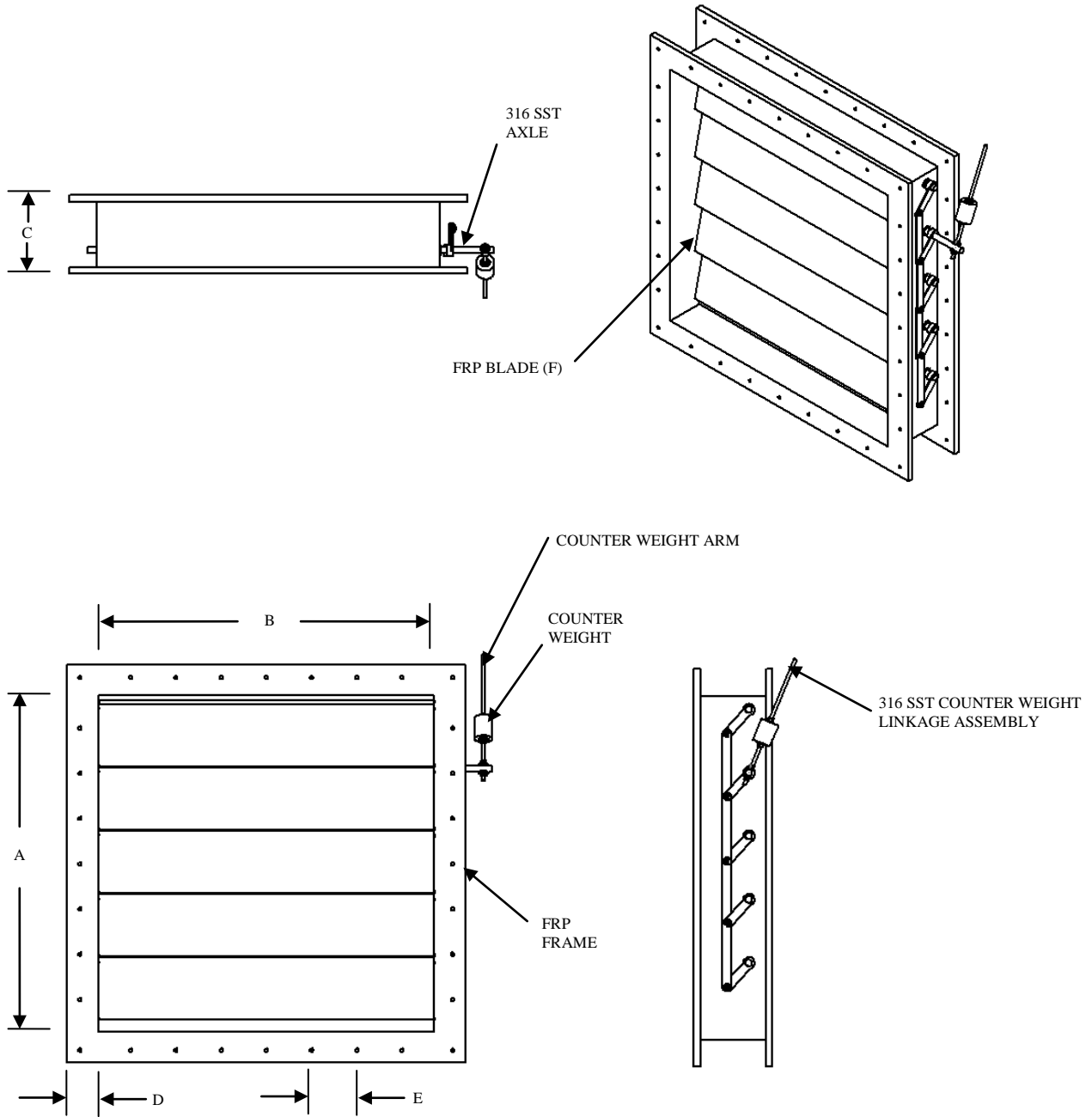


FIGURE 1: *DanFLO* FRP BACKDRAFT DAMPER

DanFLO RECTANGULAR BACKDRAFT DAMPER DIMENSIONS

A	B	C	D	E	F

- A – Height (minimum 8")
- B – Width (minimum 6")
- C – Length (default 8")
- D – Width of flange (default 2.5")
- E – Bolt holes spacing (3"-4")
- F – Number of Blade (minimum 2)