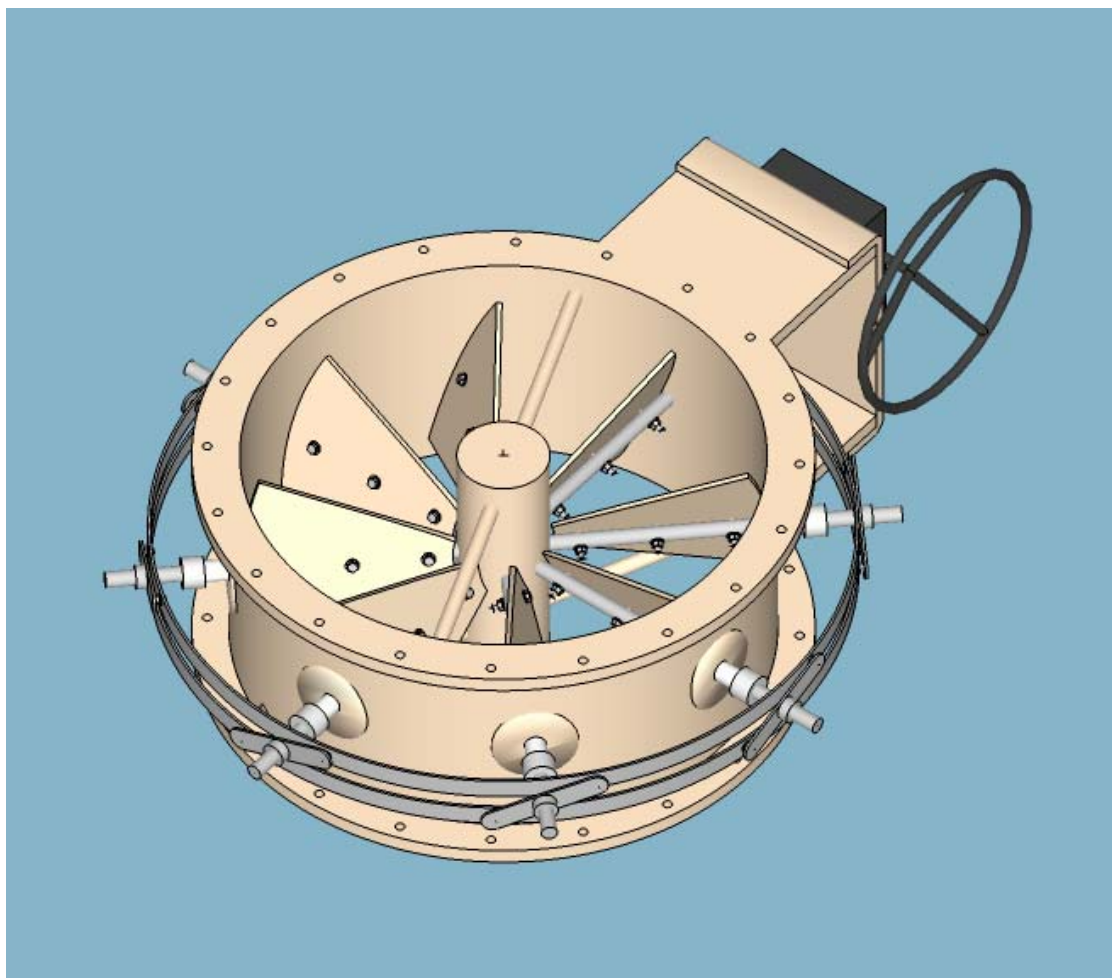


Daniel Mechanical Company

1939 West 11th Street Ste. E
Upland, CA 91786

Phone: (909) 982-1555
Fax: (909) 982-1855
danmech@sbcglobal.net
www.danielmechanical.com

DanVTEC FRP INLET VANE DAMPER



DanVTEC FRP INLET VANE DAMPER

DANIEL MECHANICAL COMPANY offers precision-engineered fiberglass reinforced plastic inlet vane dampers utilizing only high corrosion resistant parts for modulating and conditioning air flow on inlets of blowers and fans. **DanVTEC** inlet vane dampers are fire retardant, corrosion resistant, and UV protected. The blade shafts are constructed of custom-milled, solid 316 SST metal. Molded plastic bushings are accessible from the exterior of the damper requiring minimal maintenance and ensure unrestricted movement of the rotating shaft.

The **DanVTECH** damper blades are operated using a hand-wheel driven worm gear operator. Pneumatic or electric operators are optional.

All metal parts in contact with process air stream are at a minimum 316 stainless steel and may be manufactured of more exotic metals such as Hastelloy-C and Titanium.

DanVETEC inlet vane dampers range in sizes from 12-inch diameter to 72-inch diameter.

STANDARD CONSTRUCTION

FRAME—Vinyl ester resin fabricated to ASME/ANSI RTP-1

FLANGES—Dimensions and bolt hole pattern per NBS PS 15-69 Table II*. 3/4" thick, hand lay-up integral to body per ASME RTP-1-2000 Standard

BLADES—FRP hand lay-up construction per NBS PS 15-69 and ASTM C 582-02 utilizing same materials as frame

STIFFENERS—Same material as frame and integrally molded to blade

SHAFT—316 SST with nuts, bolts, and washers

BEARING—Adjustable compression type sleeve bearing with composite housing and elastomer seal

GEL COAT—Paraffinated, with ultraviolet inhibitor

COLOR—White unless specified otherwise

MAXIMUM TEMPERATURE—200°F

LINKAGE—316 SST

HUB—Molded FRP Bullet Nose.

OPERATOR—Hand lever or Dynatorque DT12 worm-gear operator

ROTATION—Clockwise or counterclockwise

LUBRICANT—None required

*Custom flange dimensions are available upon request

DanELAST ROUND FRP INLET VANE DAMPER DIMENSIONS

SIZE	FLANGE THICKNESS	FLANGE O.D.	BOLT CIRCLE DIA.	BOLT HOLE DIA.	# OF BOLT HOLES	BLADE THICKNESS	DAMPER WIDTH
12"	3/4"	16 3/8"	15"	7/16"	12	3/8"	12"
14"	3/4"	18 3/8"	17"	7/16"	12	3/8"	12"
16"	3/4"	20 3/8"	19"	7/16"	16	3/8"	12"
18"	3/4"	22 3/8"	21"	7/16"	16	3/8"	12"
20"	3/4"	24 3/8"	23"	7/16"	20	3/8"	12"
24"	3/4"	28 3/8"	27"	7/16"	20	3/8"	12"
30"	3/4"	34 3/8"	33"	7/16"	28	3/8"	12"

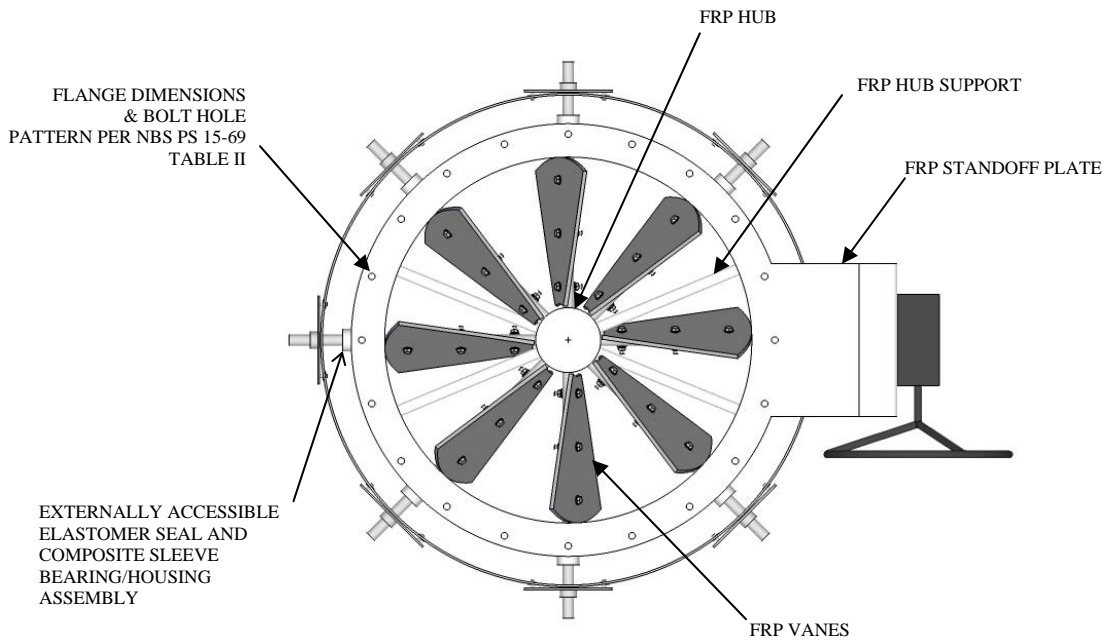


FIGURE 1: TOP VIEW OF *DanVTEC* FRP INLET VANE DAMPER

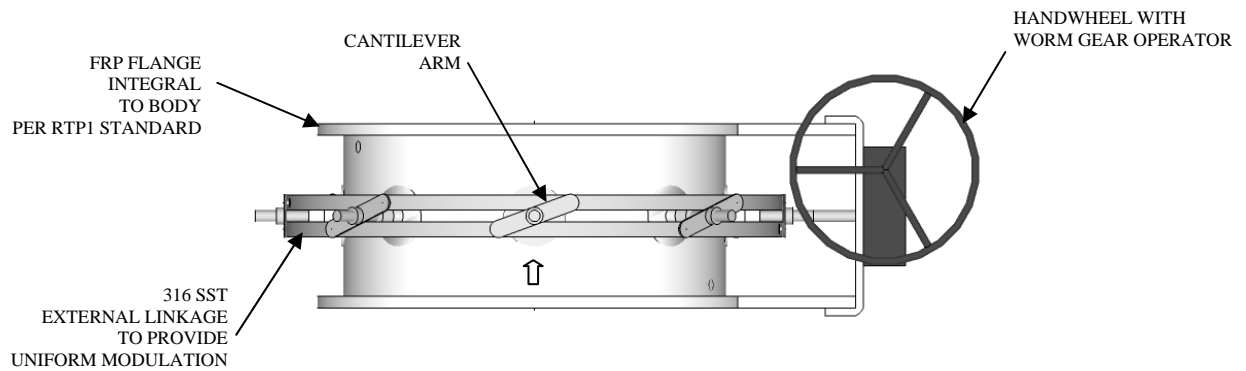


FIGURE 2: SIDE VIEW OF *DanVTEC* FRP INLET VANE DAMPER