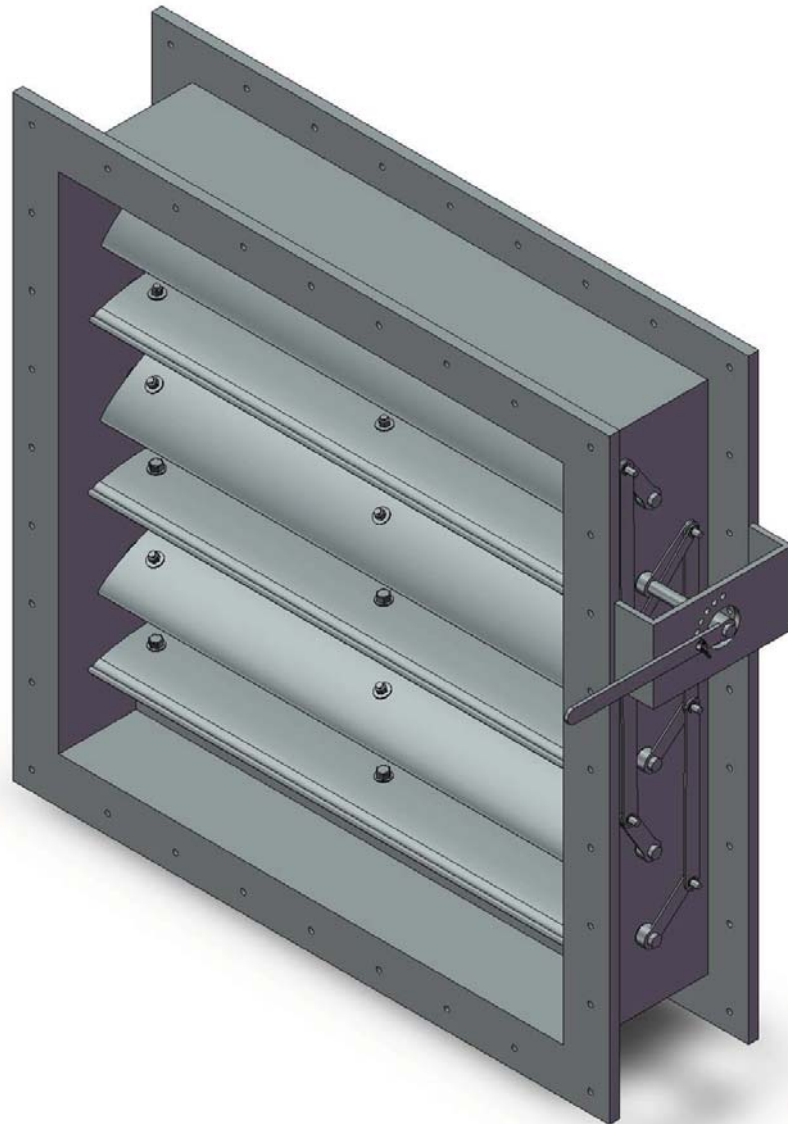


# DANIEL COMPANY

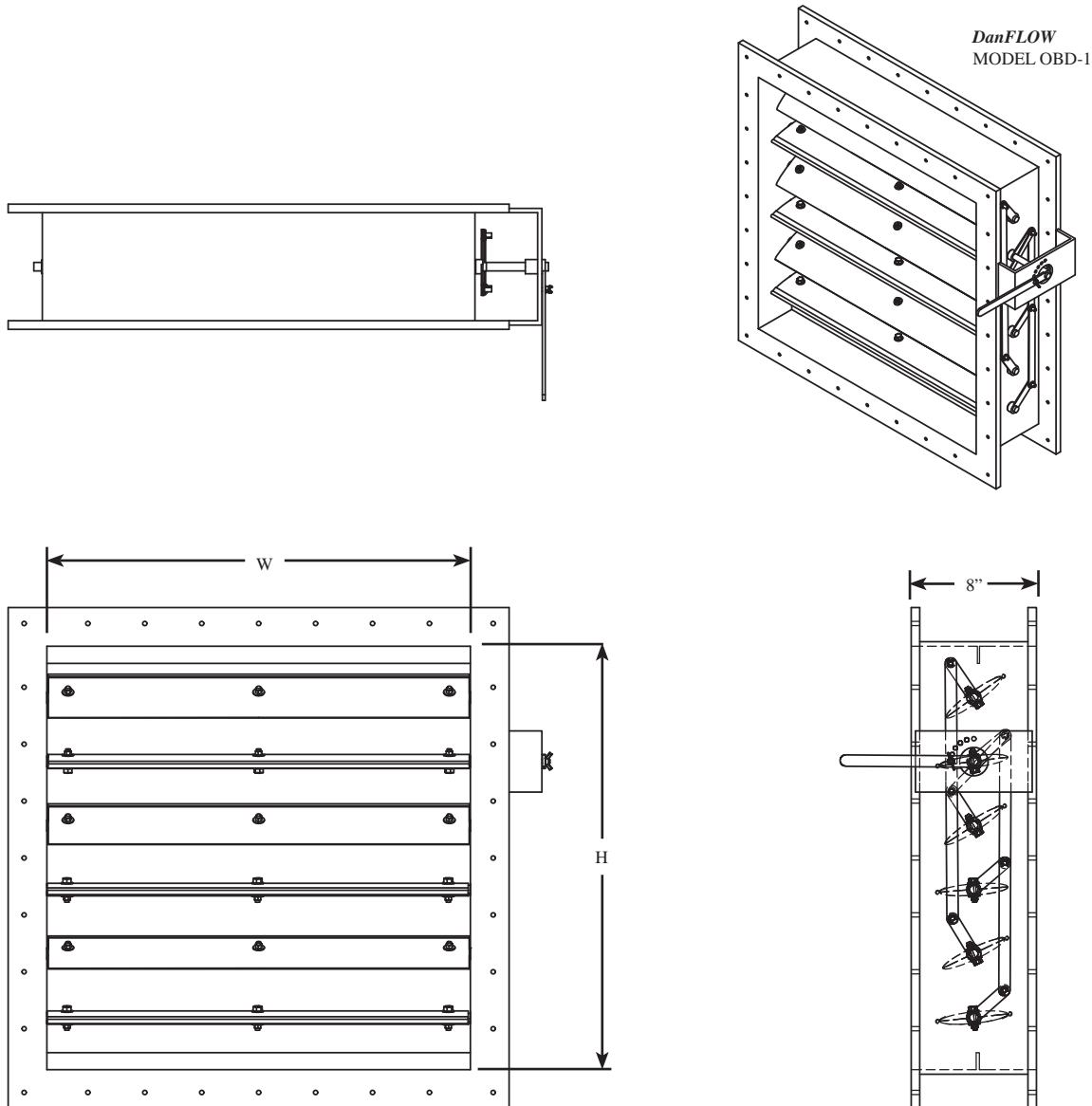
1939 West 11th Street, Ste. E  
Upland, CA 91786

Phone: (909) 982-1555  
Fax: (909) 982-1855  
danmech@sbcglobal.net  
[www.danielmechanical.com](http://www.danielmechanical.com)

## *DanFLOW* FIBERGLASS OPPOSED BLADE DAMPER



**DanFLOW FRP OPPOSED BLADE DAMPER DETAIL DRAWING**



**DanFLEX FRP OPPOSED BLADE DAMPER DIMENSIONS**

- FRAME** — 8" deep unitary body construction with vinyl ester resin
  - FLANGE** — 3/4" thick 2.5" wide flange with hand lay-up integral to body per ASME RTP-1-2000
  - BLADE** — 6 1/2" wide constructed of vinyl ester resin similar to damper frame with elastomer as standard to reduce leakage
  - SHAFT** — 316 SST® 3/4" diameter with nuts, bolts, and washers
  - BEARING** — Molded Teflon
  - OPERATOR** — 316 SST locking quadrant hand lever with 316 SST linkage system out of air stream
  - GEL COAT** — Paraffinated, with ultraviolet inhibitor
  - COLOR** — Same as FRP ductwork unless specified otherwise
  - FIRE RETARDANT** — Flame spread rating to be less than or equal to 25
  - MAXIMUM TEMPERATURE** — 200°F
  - MAXIMUM PRESSURE** — 30" w.g.
- \* Optional:      FRP shaft                              Hastelloy-C Nuts, Bolts, Washers