

# DANIEL COMPANY

1939 West 11th Street, Ste. E  
Upland, CA 91786

Phone: (909) 982-1555

Fax: (909) 982-1855

Email: danmech@sbcglobal.net

Website: [www.danielmechanical.com](http://www.danielmechanical.com)

# *DanADSORB*

## SKID-MOUNTED CARBON SYSTEMS



## GENERAL INTRODUCTION

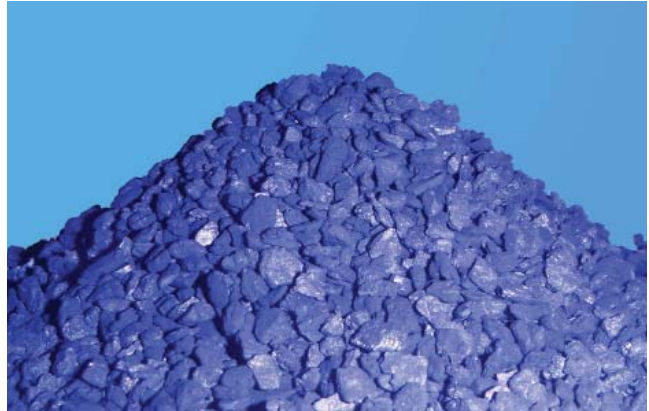
Hydrogen Sulfide, that nasty rotten egg smell that greets your workplace everyday, is a noxious killer! The National Institute for Occupational Safety and Health (NIOSH) recommends a limit of less than 10 parts per million (ppm) for a 5-day, 8-hour work week. Even smaller exposures can cause severe problems for asthmatics. Elimination of hydrogen sulfide and other volatile organic compounds should be considered critical to the maintenance of a safer and healthier work environment.



**DANIEL COMPANY HAS YOUR SOLUTION!**

## SYSTEM DESCRIPTION

The **DanADSORB** Series by Daniel Company features skid-mounted, high capacity vapor phase carbon adsorber units. This series offers the user a fully integrated turnkey system that - by virtue of its modular and preassembled design - requires minimum installation and maintenance. The **DanADSORB** pre-engineered air-scrubbing system combines premium corrosion resistant construction with the latest in technology to solve a host of hazardous industrial air pollution control problems.



## PRIMARY APPLICATION

The **DanADSORB**'s high degree of operational reliability and minimal requirements for maintenance and change outs make it ideal for usage at remote satellite facilities located along influent collection systems such as lift / pump stations. The **DanADSORB** system provides a cost-effective means by which noxious odors typically found at wastewater treatment plants are treated. It captures hydrogen sulfide and other fugitive emissions encountered at wastewater treatment plants' various process stages.



# OUTSTANDING FEATURES AND BENEFITS

## Reliability

- Corrosion and ultraviolet resistant materials of construction ensure long-life
- Engineered to delete problematic nutrients and chemical feed systems
- 1-year warranty comes standard

## Simplicity

- Fully integrated, skid-mounted design facilitates effortless “bolt-down” and “plug-in” installation
- Automated process substantially reduces operator management
- High capacity carbon decreases frequency of media change out and related maintenance requirements

## Safety

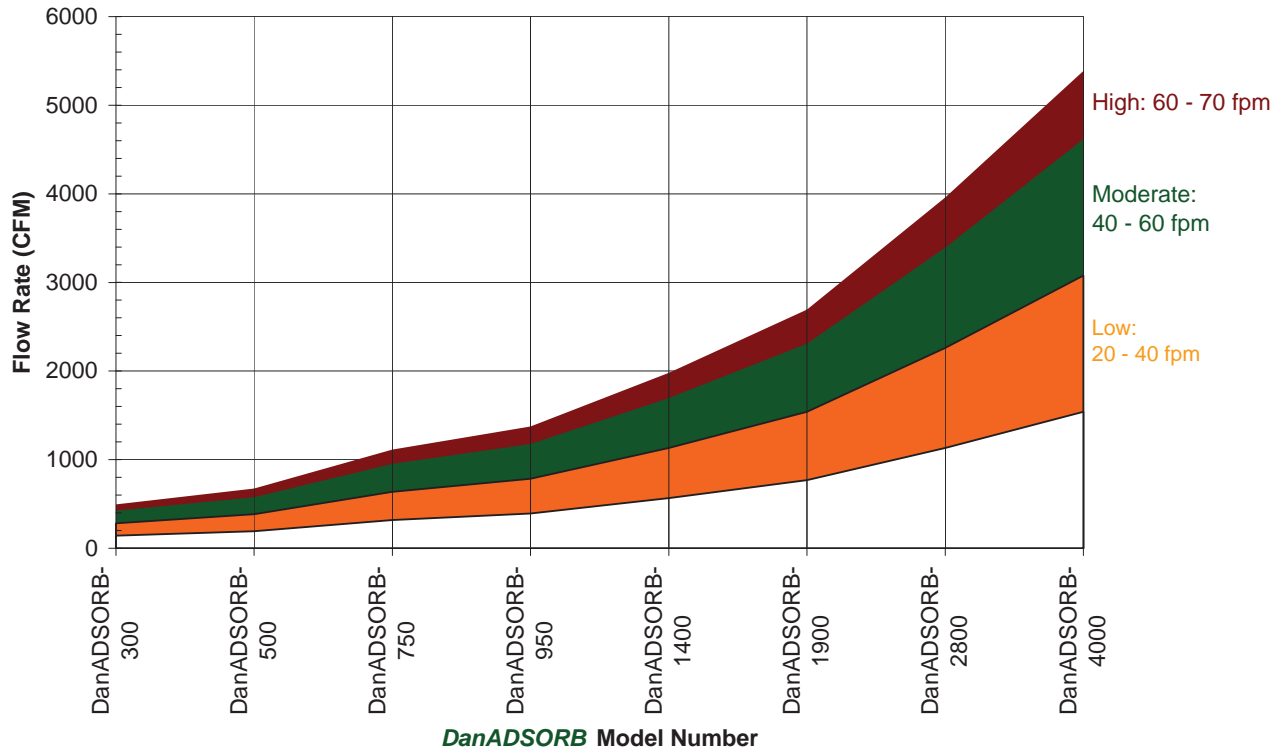
- Composite vessel construction is fire-retardant as defined by NFPA-91.
- Use of non-impregnated carbon eliminates the risk of caustic bed fires
- Zero leakage technology isolates system components

## Efficiency and Economy

- Utilizing high capacity customized activated carbon achieves optimal contaminant removal efficiency
- Instantly adjusts to fluctuations in concentrations of influent pollutants
- Use of efficient blower design lowers electrical consumption

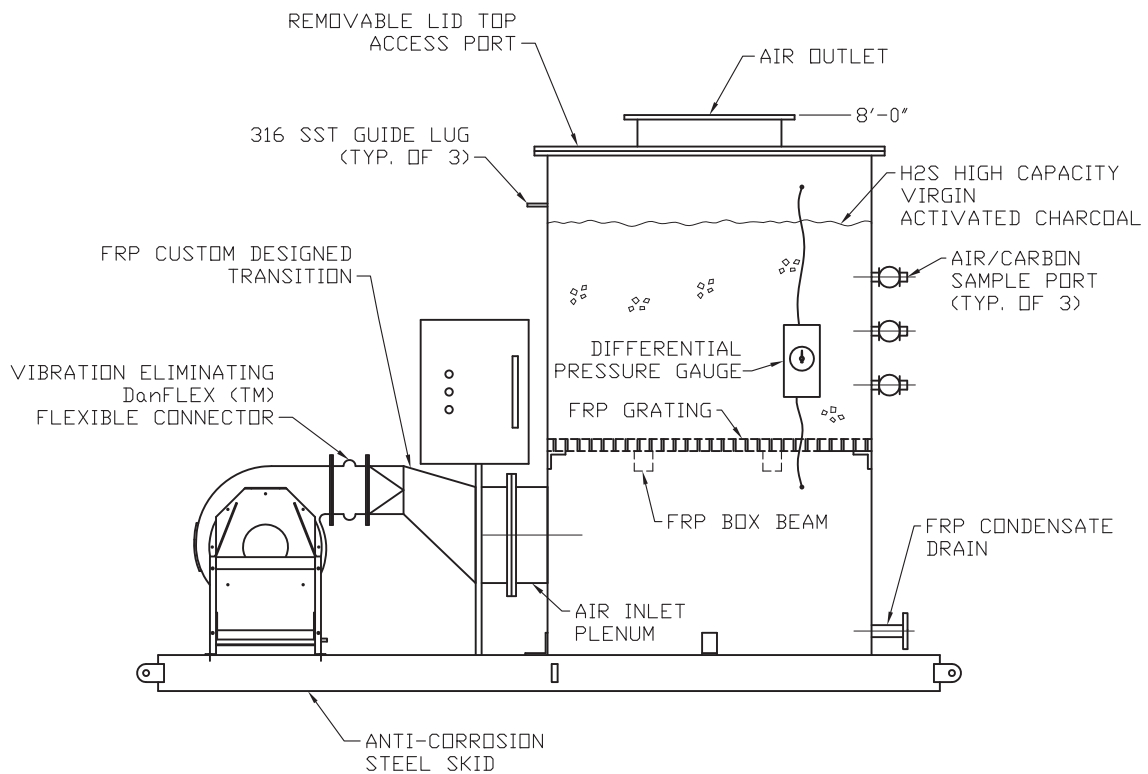
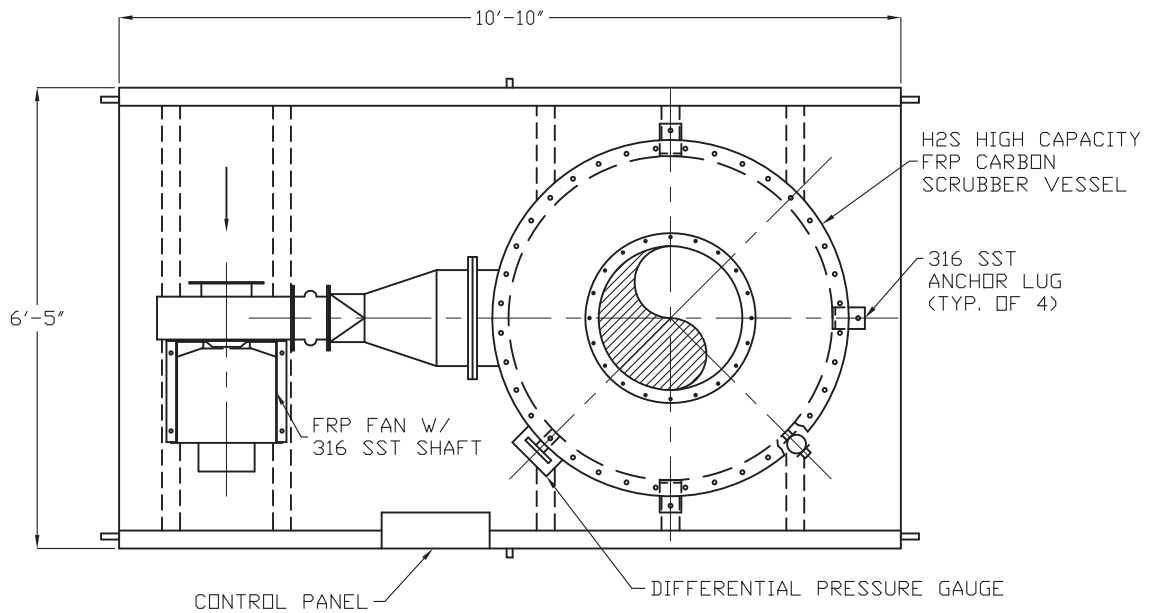


# MODEL SELECTION GUIDE

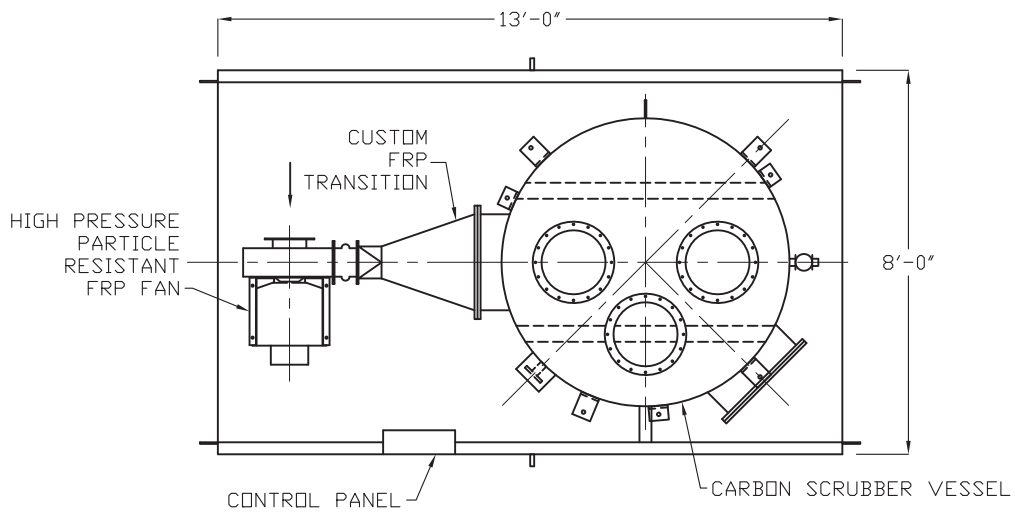
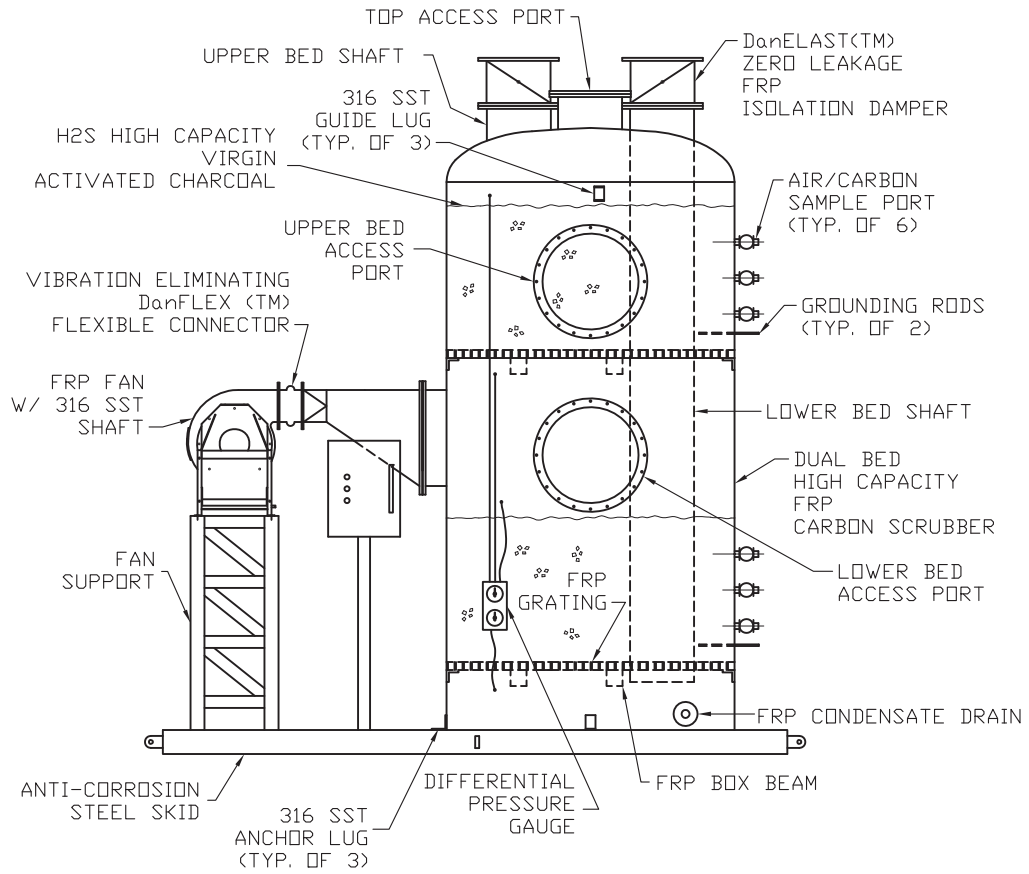


	MODEL	DIAMETER	CFM	L x W x H
<b>SINGLE BED</b>	DAS-300	3' - 0"	100-300	9' x 5' x 8'
	DAS-500	3' - 6"	300-500	10' x 5' x 8'
	DAS-750	4' - 6"	500-750	11' x 7' x 8'
	DAS-950	5' - 0"	750-1000	12' x 7' x 9'
	DAS-1400	6' - 0"	1000-1400	13' x 8' x 9'
	DAS-1900	7' - 0"	1400-1900	15' x 8' x 10'
<b>DUAL BED</b>	DAD-2800	6' - 0"	1900-2800	13' x 8' x 12'
	DAD-4000	7' - 0"	2800-4000	15' x 8' x 12'

\* Vessel sizing above is based on a face velocity of 50 feet per minute (FPM) or less across the carbon bed(s). The exception is the 7' diameter dual-bed vessel at 4000 CFM, which has a face velocity of 52 FPM.



**DanADSORB MODEL DAS-750**



**DanADSORB MODEL DAD-2800**

## CONTACT US FOR MORE INFORMATION ON:

- Technical Support
- Suggested Specifications
- Detailed Drawings
- Engineering Design Data
- Material Data
- Packaged Radial Systems
- Custom Design Systems
- Pricing

## DANIEL COMPANY

Fiberglass Air Pollution Control Systems

### Corporate Office

1939 West 11th Street, Ste E • Upland, CA 91786

Ph: (909) 982-1555 • Fax: (909) 982-1855

### Manufacturing Facility

9972 Rancho Road • Adelanto, CA 92301

Ph: (760) 246-1100 • Fax: (760) 246-1161

*Website: [www.danielmechanical.com](http://www.danielmechanical.com)*

*Email: [Danmech@sbcglobal.net](mailto:Danmech@sbcglobal.net)*