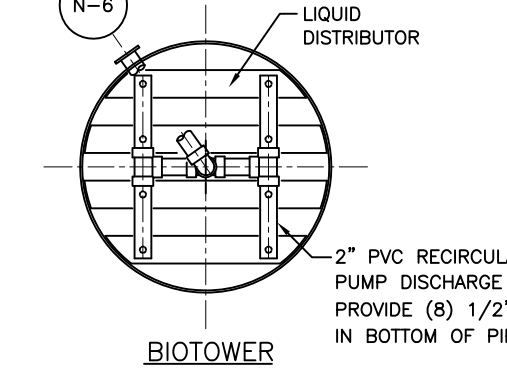
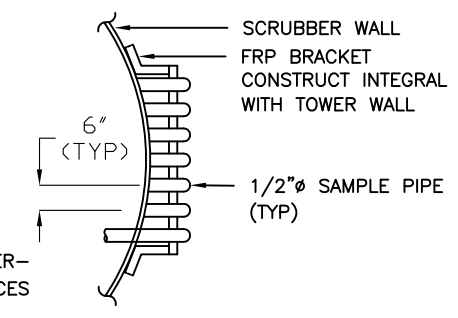


REVISION		
NO.	DATE	DESCRIPTION
0	6/2/06	INITIAL ISSUE

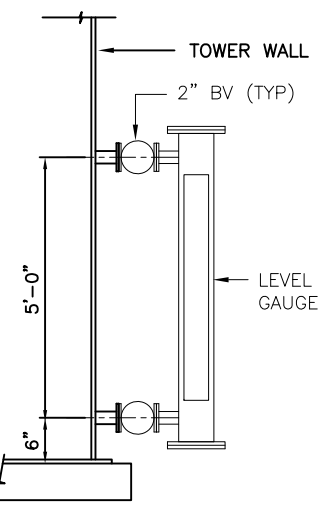
**NOTES:**  
 1. SEE PLAN VIEWS FOR TRUE ORIENTATION OF NOZZLES AND MANWAYS.  
 2. TYPICAL EACH BIOTOWER. NO. OF SAMPLE LINES AS SHOWN ON SCHEMATIC & P&ID DRAWINGS.



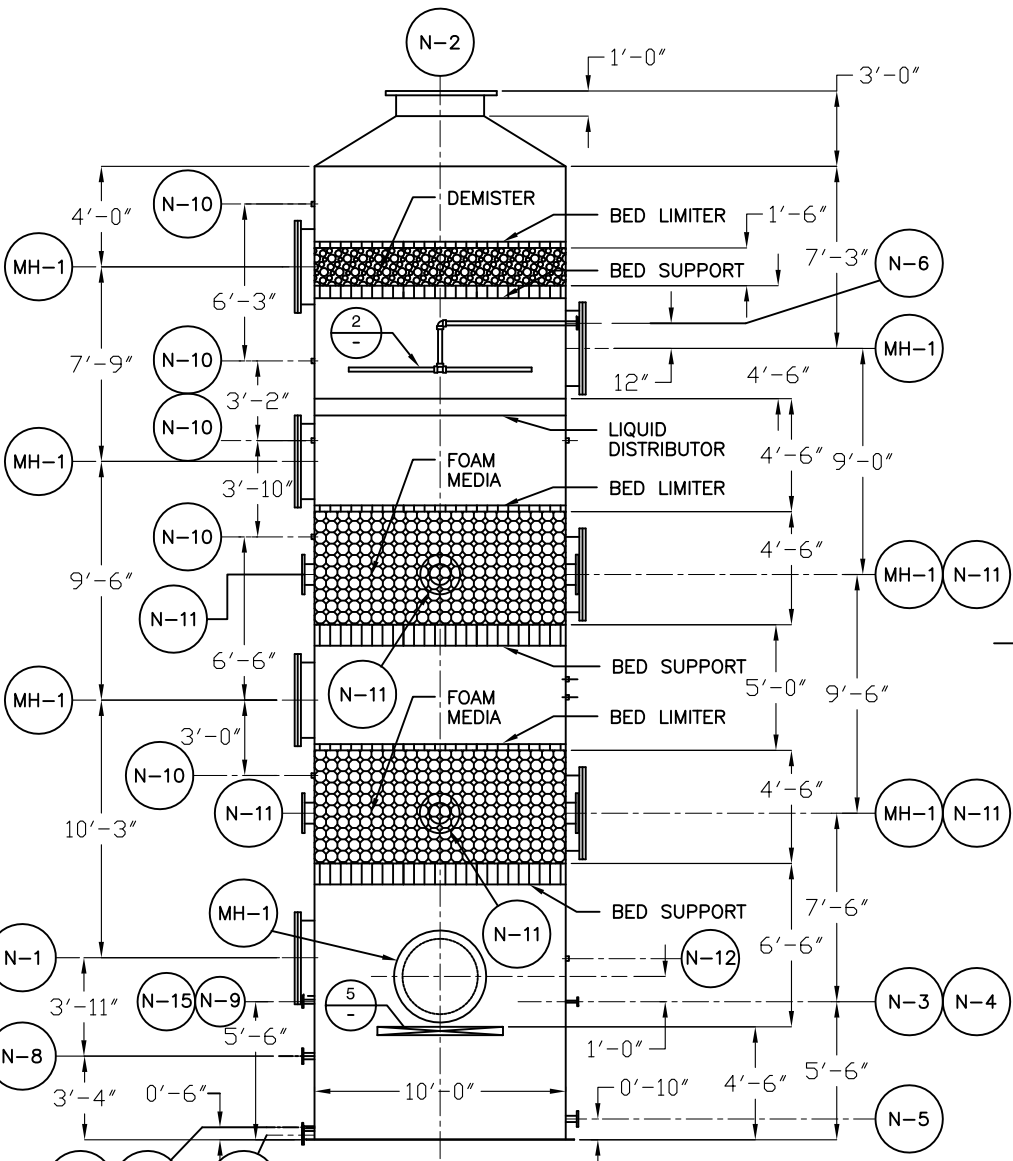
**DETAIL - LIQUID DISTRIBUTOR** (2)  
 NTS (SEE NOTE 2) 13M1002



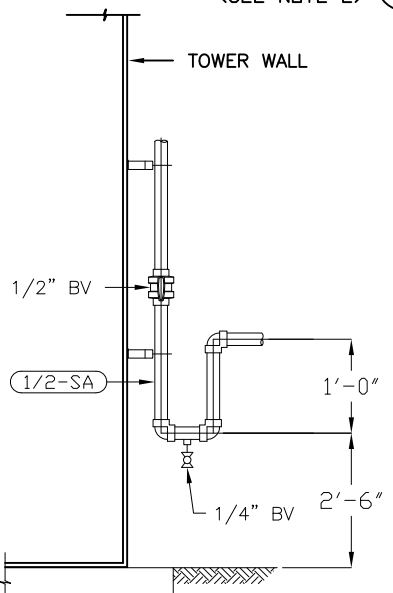
**DETAIL - SAMPLE LINES** (3)  
 NTS (SEE NOTE 2) 13M1002



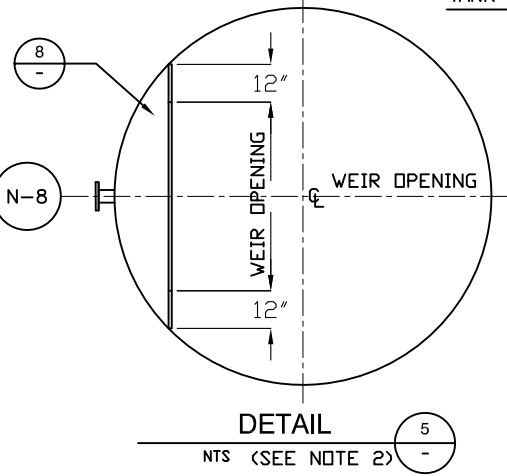
**DETAIL - LEVEL GAUGE** (4)  
 NTS (SEE NOTE 2) 13M1002



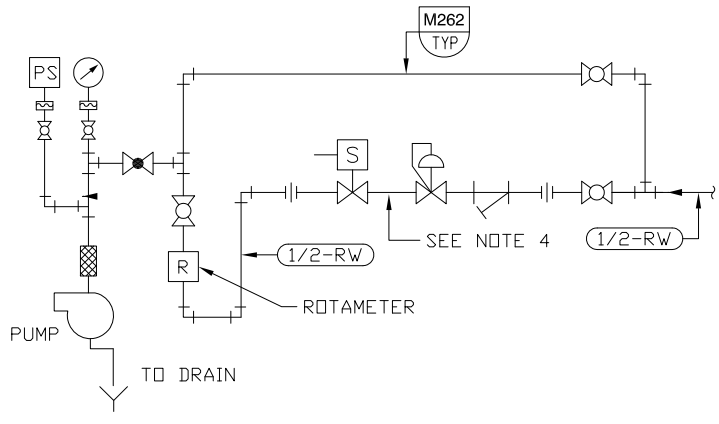
**DETAIL - BIOTOWER** (1)  
 (SEE NOTE 2) 13M1002



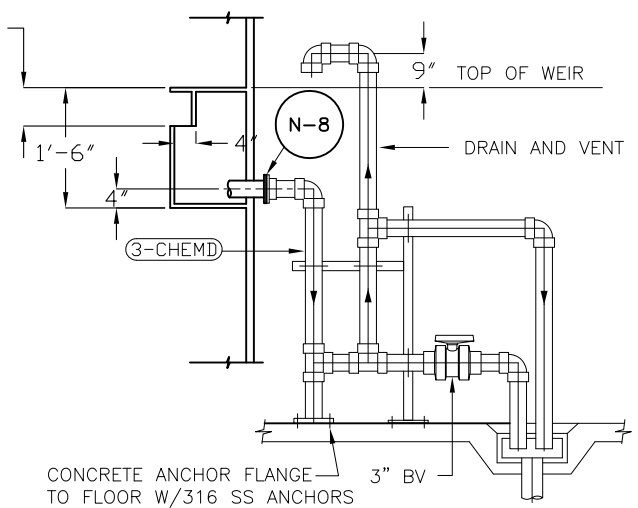
**DETAIL - SAMPLE PORT** (6)  
 NTS (SEE NOTE 2) 13M1002



**DETAIL** (5)  
 NTS (SEE NOTE 2) 13M1002



**DETAIL - SEAL WATER SYSTEM SCHEMATIC** (7)  
 NTS (SEE NOTE 2) 13M1002



**DETAIL - OVERFLOW** (8)  
 NTS (SEE NOTE 2) 13M1002

SCHEDULE - EACH BIOTOWER				
NO.	QUANTITY	SIZE	PROJECTION	SERVICE
N-1	1	36"x72"	8"	FOUL AIR INLET
N-2	1	42"	12"	AIR OUTLET
N-3	1	1"	6"	RECLAIMED WATER INLET
N-4	1	1"	6"	PLANT WATER INLET
N-5	1	3"	6"	SIPHON PUMP SUCTION
N-6	1	2"	6"	RECIRCULATION
N-7	1	6"	6"	DRAIN FLUSH BOTTOM
N-8	1	3"	6"	OVERFLOW
N-9	2	2"	6"	LEVEL GAUGE
N-10	7	1/2"	-	SAMPLE
N-11	8	12"	6"	MEDIA INSPECTION PORT
N-12	4	1/2"	-	MANOMETER
N-13	2	2"	6"	ULTRASONIC LEVEL SWITCH
MH-1	7	36"	-	MANWAY

**TRUNKLINE**

**QTY.: 3**