

DANIEL COMPANY

1939 West 11th Street, Ste. E
Upland, CA 91786

Phone: (909) 982-1555

Fax: (909) 982-1855

Email: danmech@sbcglobal.net

Website: www.danielmechanical.com

DanADSORB

SKID-MOUNTED CARBON SYSTEMS



GENERAL INTRODUCTION

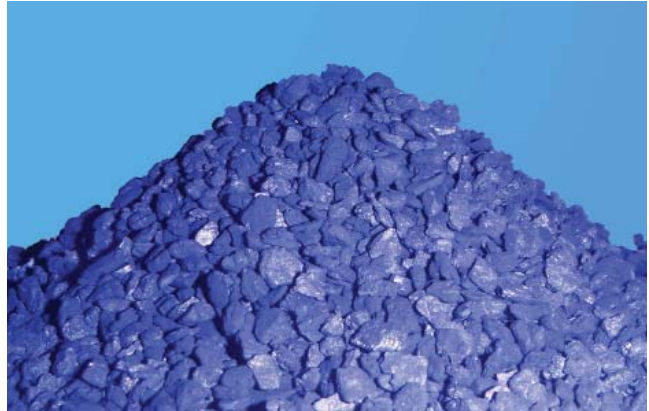
Hydrogen Sulfide, that nasty rotten egg smell that greets your workplace everyday, is a noxious killer! The National Institute for Occupational Safety and Health (NIOSH) recommends a limit of less than 10 parts per million (ppm) for a 5-day, 8-hour work week. Even smaller exposures can cause severe problems for asthmatics. Elimination of hydrogen sulfide and other volatile organic compounds should be considered critical to the maintenance of a safer and healthier work environment.



DANIEL COMPANY HAS YOUR SOLUTION!

SYSTEM DESCRIPTION

The **DanADSORB** Series by Daniel Company features skid-mounted, high capacity vapor phase carbon adsorber units. This series offers the user a fully integrated turnkey system that - by virtue of its modular and preassembled design - requires minimum installation and maintenance. The **DanADSORB** pre-engineered air-scrubbing system combines premium corrosion resistant construction with the latest in technology to solve a host of hazardous industrial air pollution control problems.



PRIMARY APPLICATION

The **DanADSORB**'s high degree of operational reliability and minimal requirements for maintenance and change outs make it ideal for usage at remote satellite facilities located along influent collection systems such as lift / pump stations. The **DanADSORB** system provides a cost-effective means by which noxious odors typically found at wastewater treatment plants are treated. It captures hydrogen sulfide and other fugitive emissions encountered at wastewater treatment plants' various process stages.

OUTSTANDING FEATURES AND BENEFITS

Reliability

- Corrosion and ultraviolet resistant materials of construction ensure long-life
- Engineered to delete problematic nutrients and chemical feed systems
- 1-year warranty comes standard

Simplicity

- Fully integrated, skid-mounted design facilitates effortless “bolt-down” and “plug-in” installation
- Automated process substantially reduces operator management
- High capacity carbon decreases frequency of media change out and related maintenance requirements

Safety

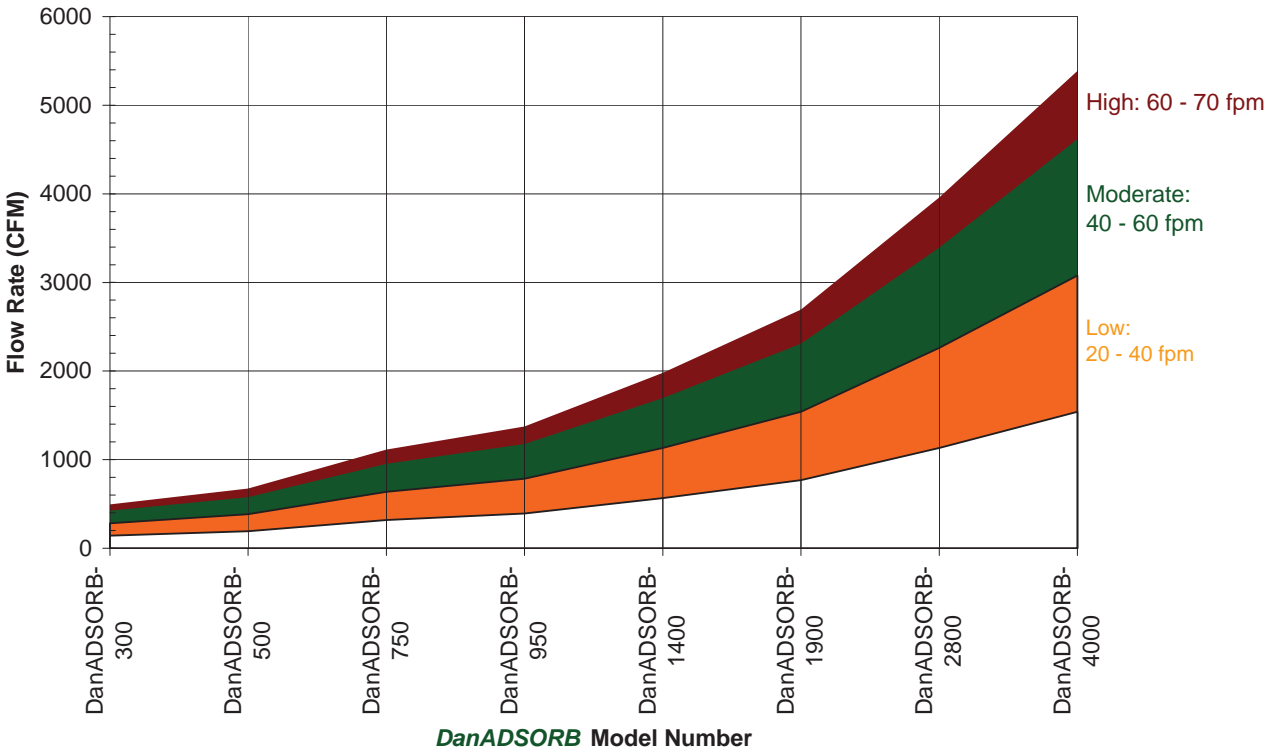
- Composite vessel construction is fire-retardant as defined by NFPA-91.
- Use of non-impregnated carbon eliminates the risk of caustic bed fires
- Zero leakage technology isolates system components

Efficiency and Economy

- Utilizing high capacity customized activated carbon achieves optimal contaminant removal efficiency
- Instantly adjusts to fluctuations in concentrations of influent pollutants
- Use of efficient blower design lowers electrical consumption

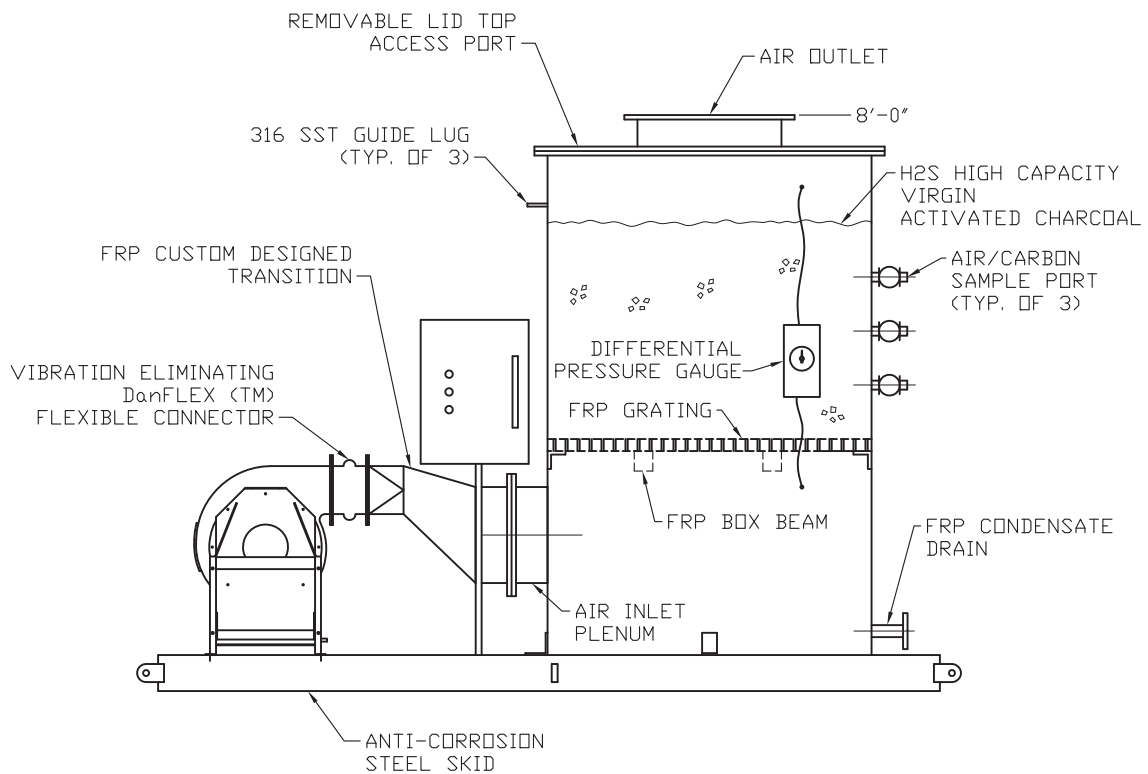
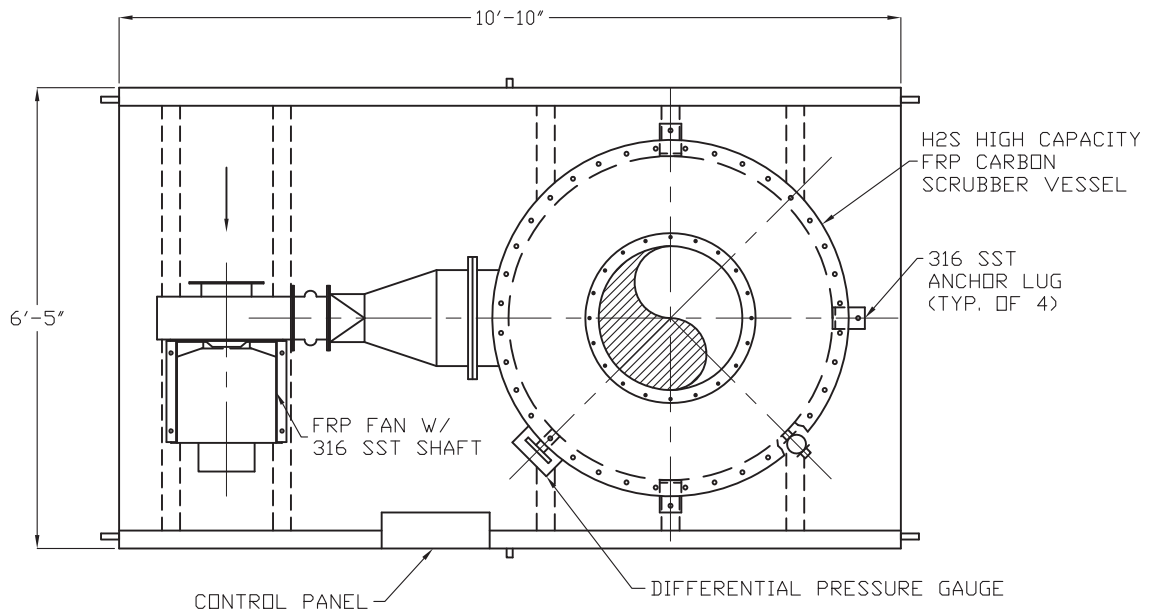


MODEL SELECTION GUIDE

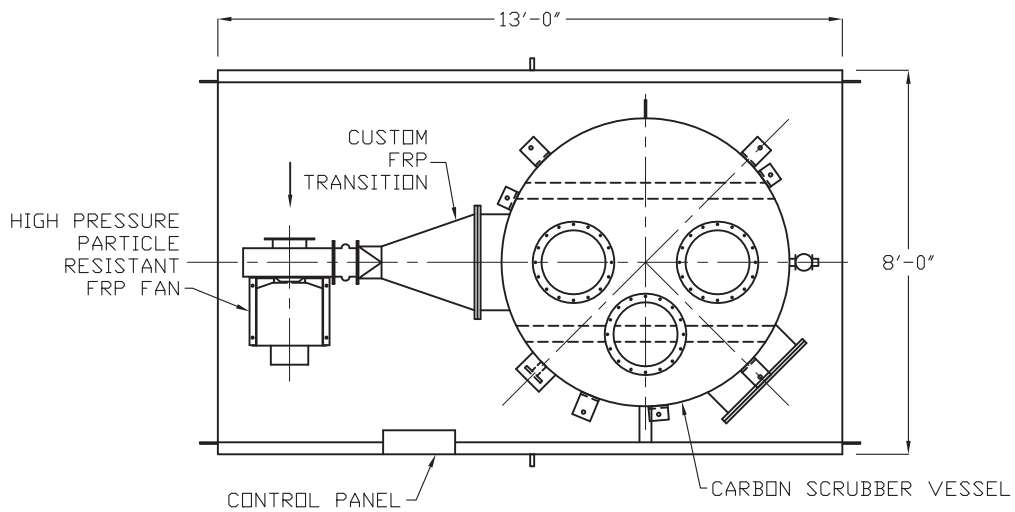
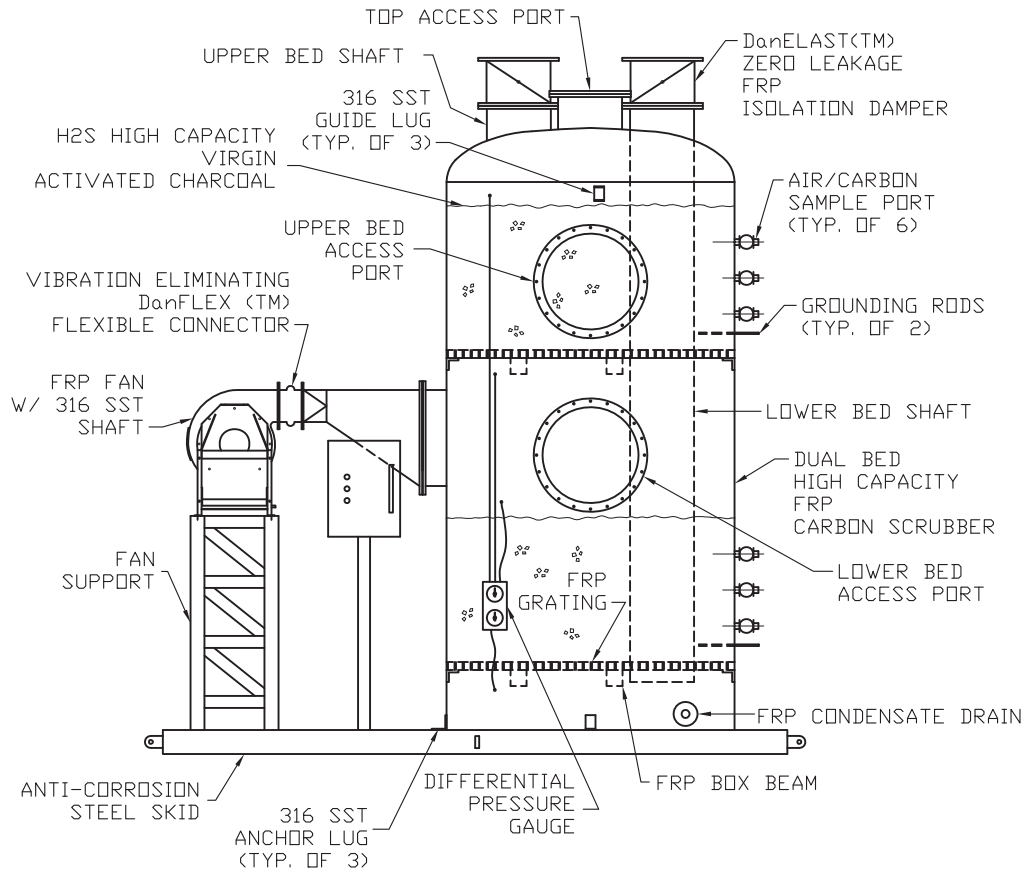


| | MODEL | DIAMETER | CFM | L x W x H |
|-------------------|----------|----------|-----------|----------------|
| SINGLE BED | DAS-300 | 3' - 0" | 100-300 | 9' x 5' x 8' |
| | DAS-500 | 3' - 6" | 300-500 | 10' x 5' x 8' |
| | DAS-750 | 4' - 6" | 500-750 | 11' x 7' x 8' |
| | DAS-950 | 5' - 0" | 750-1000 | 12' x 7' x 9' |
| | DAS-1400 | 6' - 0" | 1000-1400 | 13' x 8' x 9' |
| | DAS-1900 | 7' - 0" | 1400-1900 | 15' x 8' x 10' |
| DUAL BED | DAD-2800 | 6' - 0" | 1900-2800 | 13' x 8' x 12' |
| | DAD-4000 | 7' - 0" | 2800-4000 | 15' x 8' x 12' |

* Vessel sizing above is based on a face velocity of 50 feet per minute (FPM) or less across the carbon bed(s). The exception is the 7' diameter dual-bed vessel at 4000 CFM, which has a face velocity of 52 FPM.



DanADSORB MODEL DAS-750



DanADSORB MODEL DAD-2800

CONTACT US FOR MORE INFORMATION ON:

- Technical Support
- Suggested Specifications
- Detailed Drawings
- Engineering Design Data
- Material Data
- Packaged Radial Systems
- Custom Design Systems
- Pricing

DANIEL COMPANY

Fiberglass Air Pollution Control Systems

Corporate Office

1939 West 11th Street, Ste E • Upland, CA 91786

Ph: (909) 982-1555 • Fax: (909) 982-1855

Manufacturing Facility

9972 Rancho Road • Adelanto, CA 92301

Ph: (760) 246-1100 • Fax: (760) 246-1161

Website: www.danielmechanical.com

Email: Danmech@sbcglobal.net